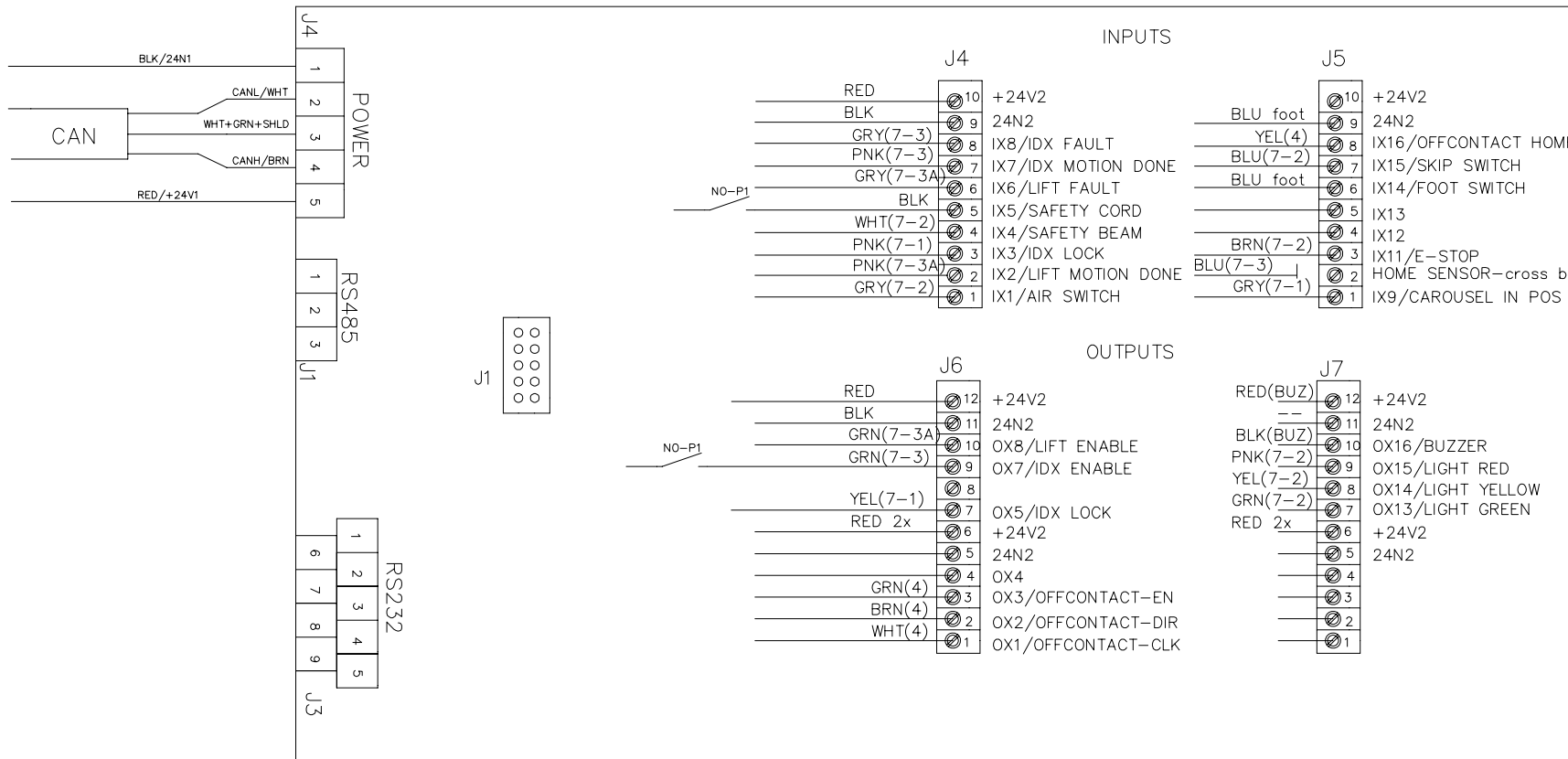


03
00
03
01
03
02
03
03
03
04
03
05
03
06
03
07
03
08
03
09
03
10
03
11
03
12
03
13
03
14
03
15
03
16
03
17
03
18
03
19
03
20
03
21
03
22
03
23
03
24



(7-1) - TERMINAL NA BAZIE, CZUJNIKI, ZAWORY
 (7-2) - PCB4A
 (7-3) - SERVO DRIVE
 (7-4) - FLASHES 4x0,25

IDX HOME WIRE - BLU
 LIFT HOME WIRE - GRN

PRINTEX UE JOB NO. 1 DW

DR PM CHK PM APP PM DATE 07
 NAME SPECTRUM_S / NUOVO
 NAME PCB2 INPUTS & OUTPUTS
 SCALE B DWG3can